



ROTARY SCREENER



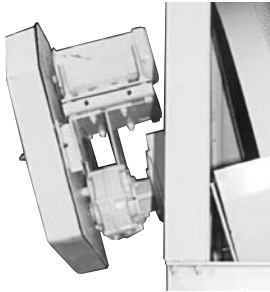
- The Ranco Rotary Screener is powered by a three phase motor with a gear reducer drive. The rotating action of the screener assists the angle of the unit to move product from the inlet through the unit. The good product falls through and the oversized product is discharged into a holding container located at ground level.

- The screen is of 304 stainless steel. The screen size may vary.
- The screener has a mild steel hopper and support stand. The support stand is of square tubing. Stainless steel is available.
- The capacity of the unit is determined by the amount of foreign material being removed. However, we have units out that are producing over 160 TPH.

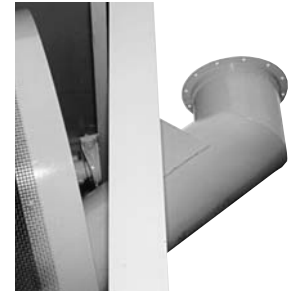
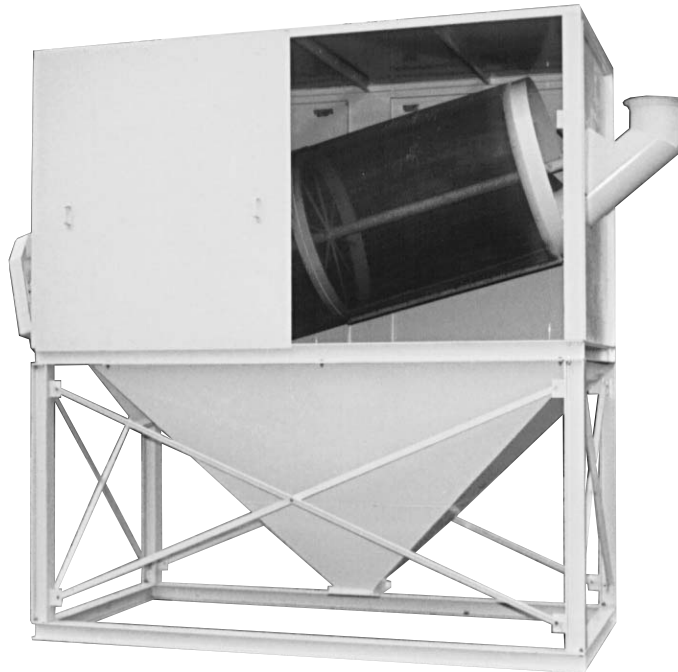


Manufacturing Quality Fertilizer Handling Equipment For Over 30 Years.

ROTARY SCREENER



Gear Reducer Drive



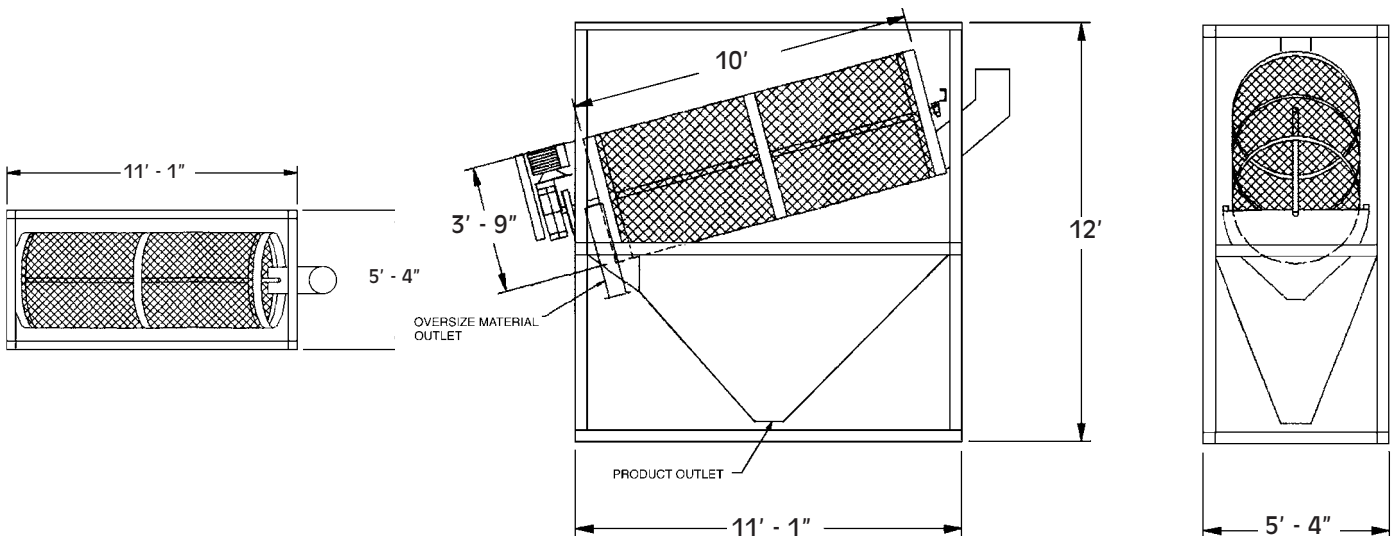
Flanged Inlet

Removable Fiberglass Doors

Heavy Duty Frame

50° Hopper for fast, easy unloading

Specifications



P.O. Box 329
Sioux Rapids, Iowa 50585
Phone: 712-283-2525